

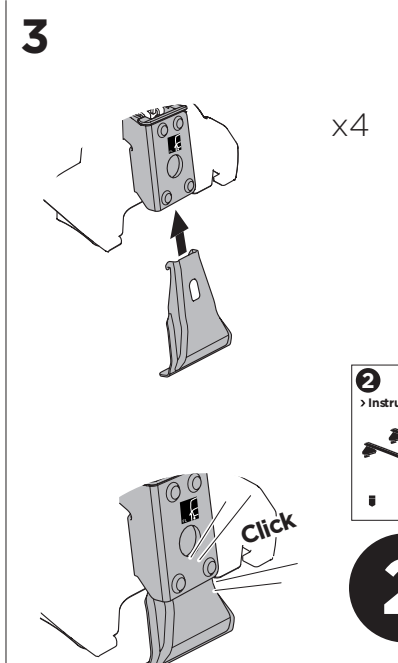
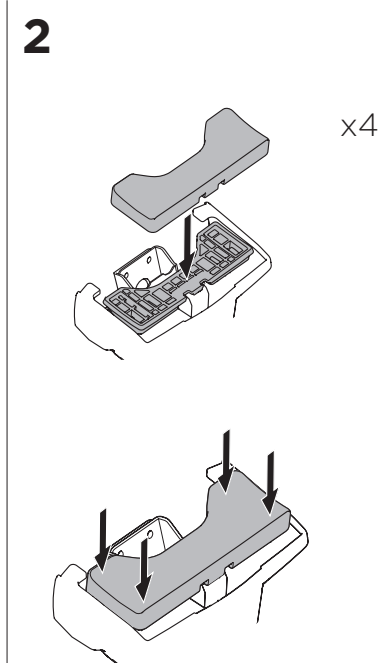
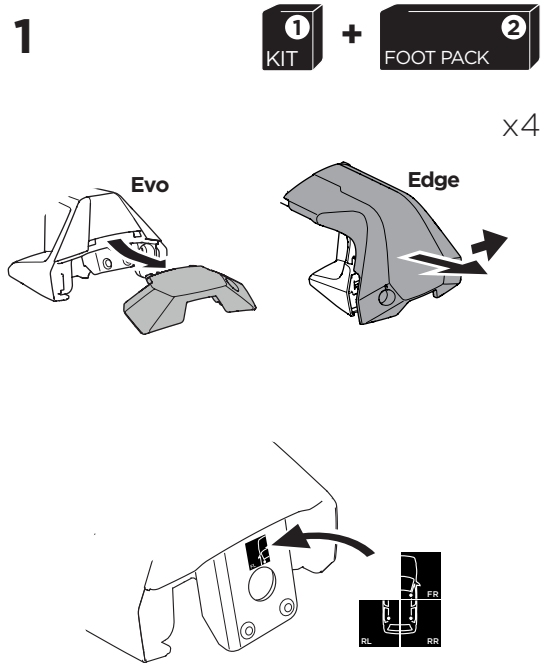
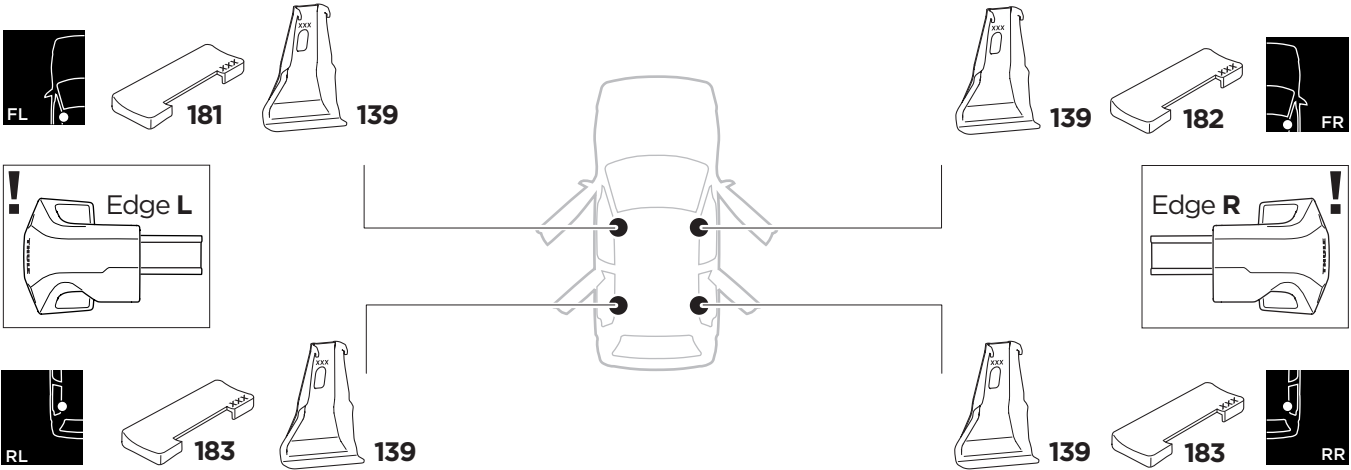
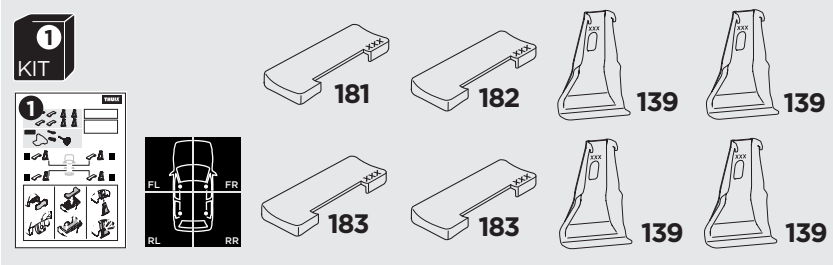
# 1

## Kit 145044

PEUGEOT 3008, 5-dr SUV, 17-



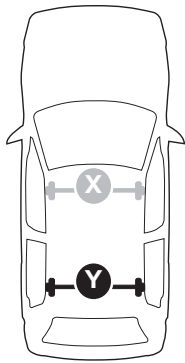
ISO 11154-E





THULE WingBar Evo	THULE WingBar Edge	THULE WingBar	THULE SquareBar	<b>Evo X (scale)</b>	<b>Edge X (scale)</b>
<b>PEUGEOT 3008, 5-dr SUV, 17-</b>				<b>44,5</b>	<b>H</b>

THULE ProBar	THULE SlideBar	<b>X (mm/inch)</b>		
<b>PEUGEOT 3008, 5-dr SUV, 17-</b>		<b>1096 mm / 43 1/8"</b>		



THULE WingBar Evo	THULE WingBar Edge	THULE WingBar	THULE SquareBar	<b>Evo Y (scale)</b>	<b>Edge Y (scale)</b>
<b>PEUGEOT 3008, 5-dr SUV, 17-</b>				<b>41,5</b>	<b>N</b>

THULE ProBar	THULE SlideBar	<b>Y (mm/inch)</b>		
<b>PEUGEOT 3008, 5-dr SUV, 17-</b>		<b>1066 mm / 42"</b>		

	<b>W (mm/inch)</b>	<b>Z (mm/inch)</b>
<b>PEUGEOT 3008, 5-dr SUV, 17-</b>	<b>720 mm / 28 3/8"</b>	<b>259 mm / 10 1/4"</b>

