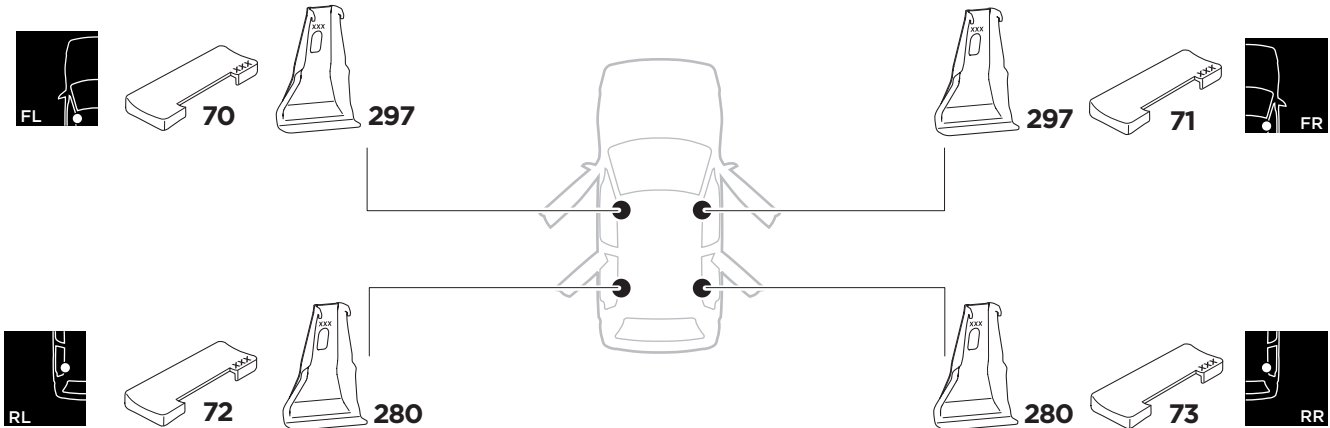
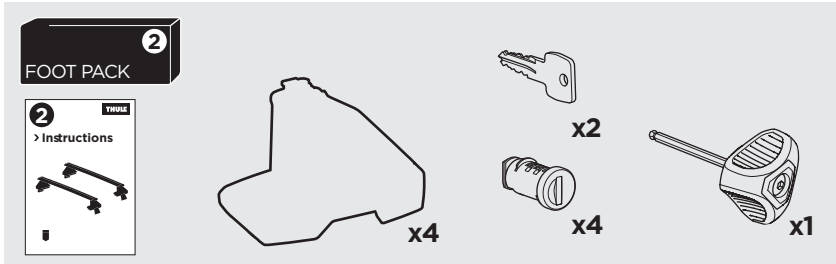
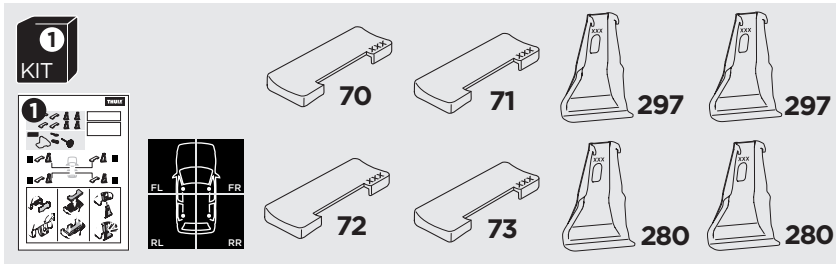


# 1

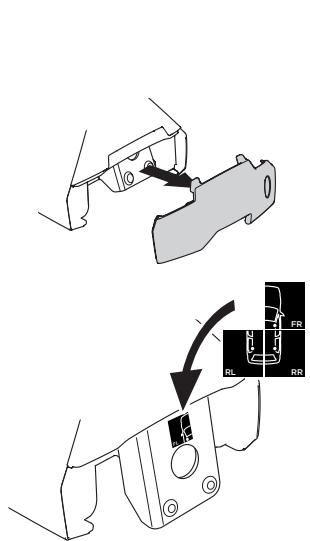
## Kit 5014

FORD C-Max (Mk II), 5-dr MPV, 10-

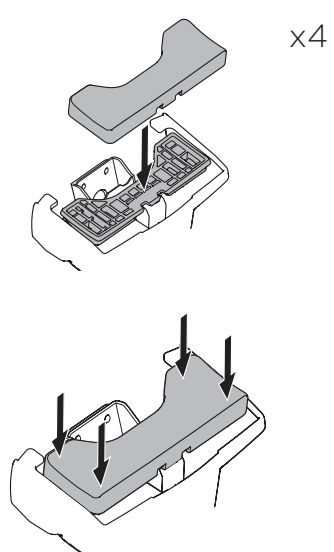
ISO 11154-E



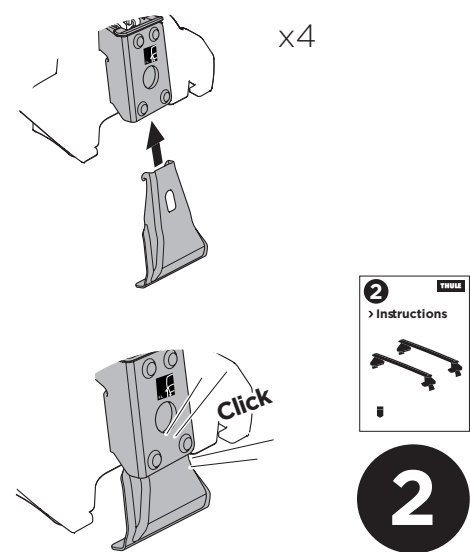
**1** **1 KIT** + **2 FOOT PACK**



**2**



**3**





THULE WingBar Evo	THULE WingBar Edge	THULE WingBar	THULE SquareBar	<b>Evo X (scale)</b>	<b>Edge X (scale)</b>
<b>FORD C-Max (Mk II), 5-dr MPV, 10-</b>				<b>46,5</b>	<b>D</b>
THULE ProBar	THULE SlideBar				<b>X (mm/inch)</b>
<b>FORD C-Max (Mk II), 5-dr MPV, 10-</b>				<b>1116 mm / 43 7/8"</b>	



THULE WingBar Evo	THULE WingBar Edge	THULE WingBar	THULE SquareBar	<b>Evo Y (scale)</b>	<b>Edge Y (scale)</b>
<b>FORD C-Max (Mk II), 5-dr MPV, 10-</b>				<b>37,5</b>	<b>D</b>
THULE ProBar	THULE SlideBar				<b>Y (mm/inch)</b>
<b>FORD C-Max (Mk II), 5-dr MPV, 10-</b>				<b>1026 mm / 40 3/8"</b>	

	<b>W (mm/inch)</b>	<b>Z (mm/inch)</b>
<b>FORD C-Max (Mk II), 5-dr MPV, 10-</b>	<b>765 mm / 30 1/8"</b>	<b>280 mm / 11"</b>

