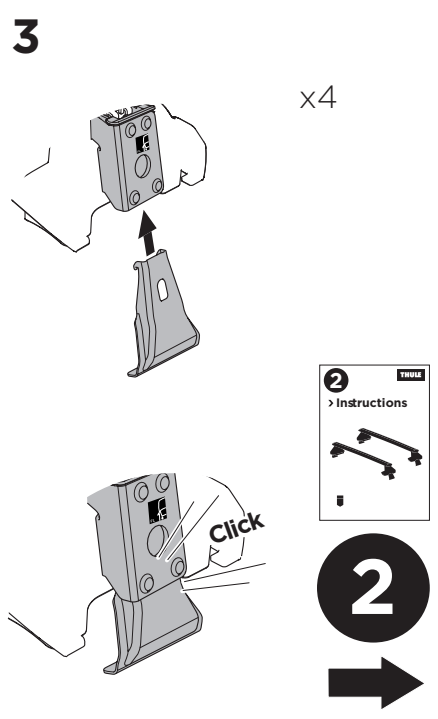
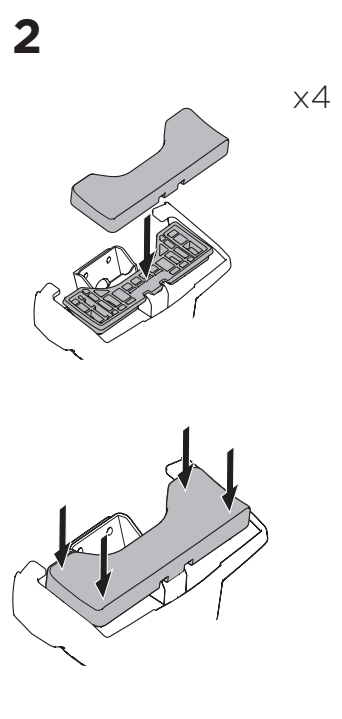
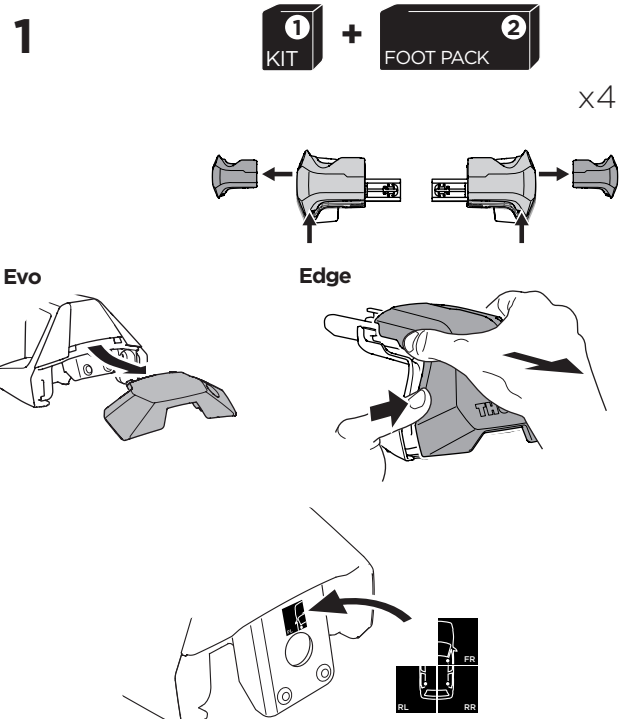
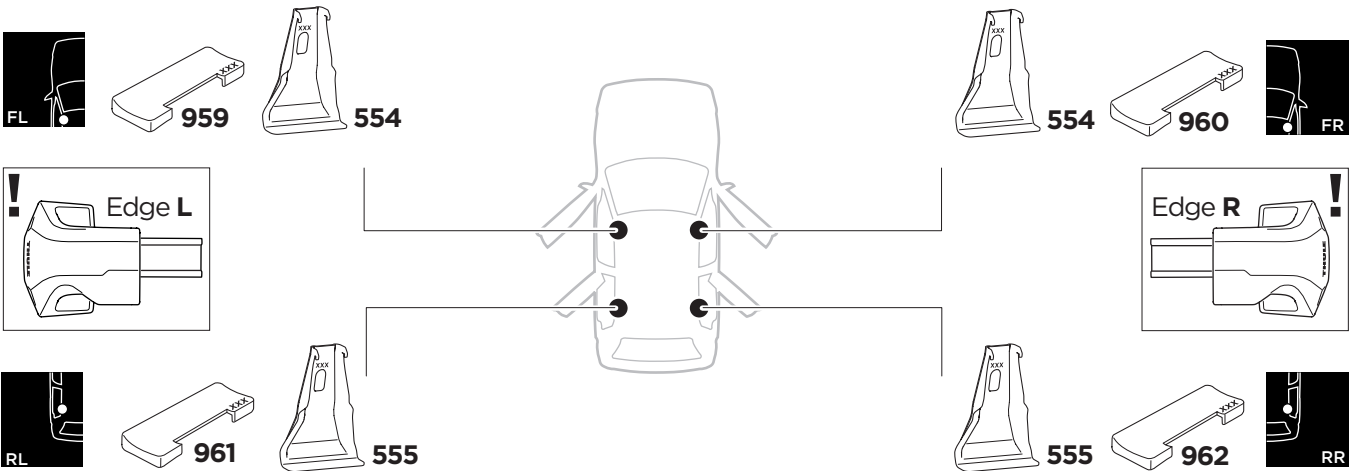
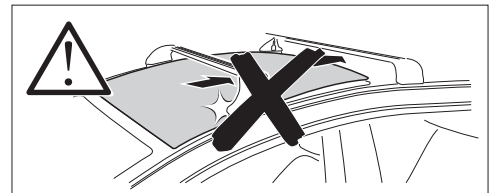
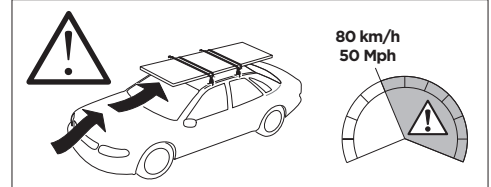
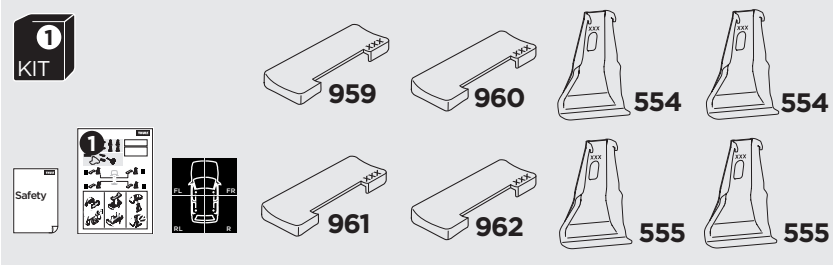


1

Kit 145328

OPEL Astra (L), 5-dr Hatchback, 22-

ISO 11154-E





THULE WingBar Evo	THULE WingBar Edge	THULE WingBar	THULE SquareBar Evo	Evo X (scale)	Edge X (scale)
OPEL Astra (L), 5-dr Hatchback, 22-				35,5	H

THULE ProBar Evo	THULE SlideBar Evo	X (mm/inch)		
OPEL Astra (L), 5-dr Hatchback, 22-		1006 mm / 39 5/8"		



THULE WingBar Evo	THULE WingBar Edge	THULE WingBar	THULE SquareBar Evo	Evo Y (scale)	Edge Y (scale)
OPEL Astra (L), 5-dr Hatchback, 22-				30,5	R

THULE ProBar Evo	THULE SlideBar Evo	Y (mm/inch)		
OPEL Astra (L), 5-dr Hatchback, 22-		956 mm / 37 5/8"		

	W (mm/inch)	Z (mm/inch)
OPEL Astra (L), 5-dr Hatchback, 22-	715 mm / 28 1/8"	280 mm / 11"

