

# 1

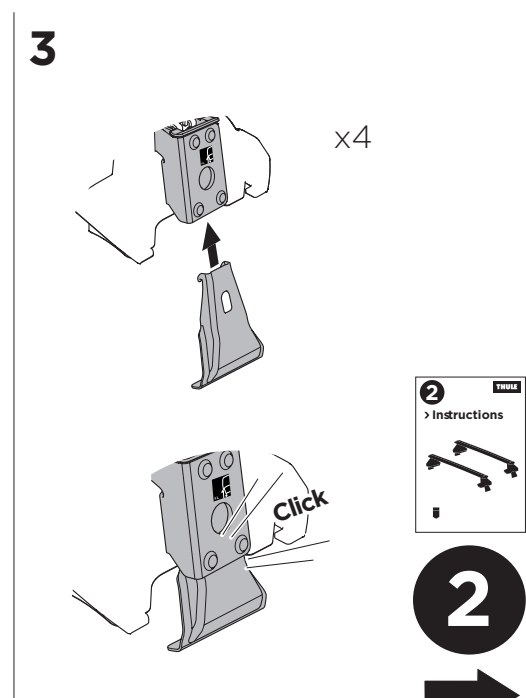
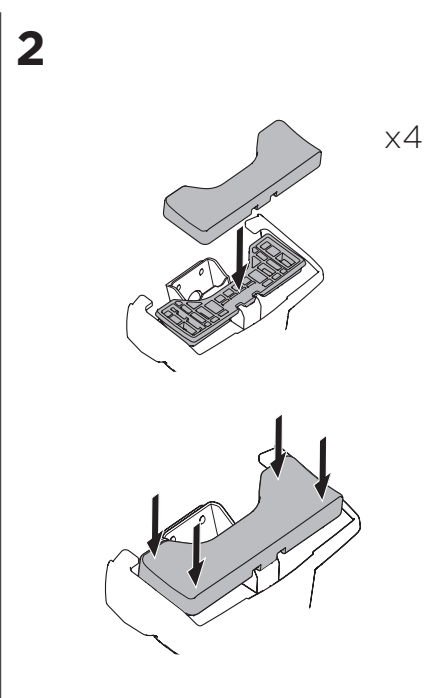
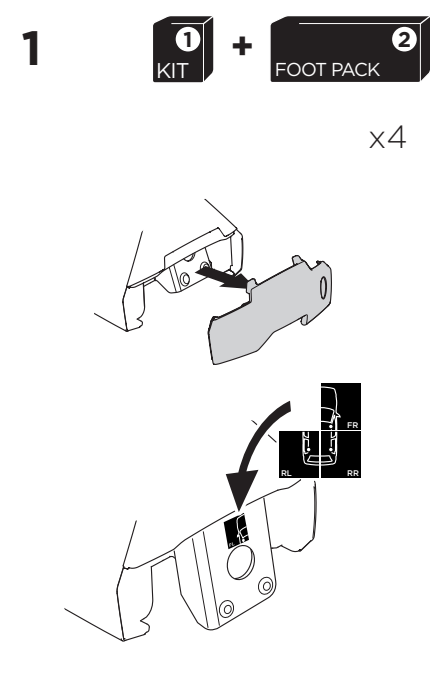
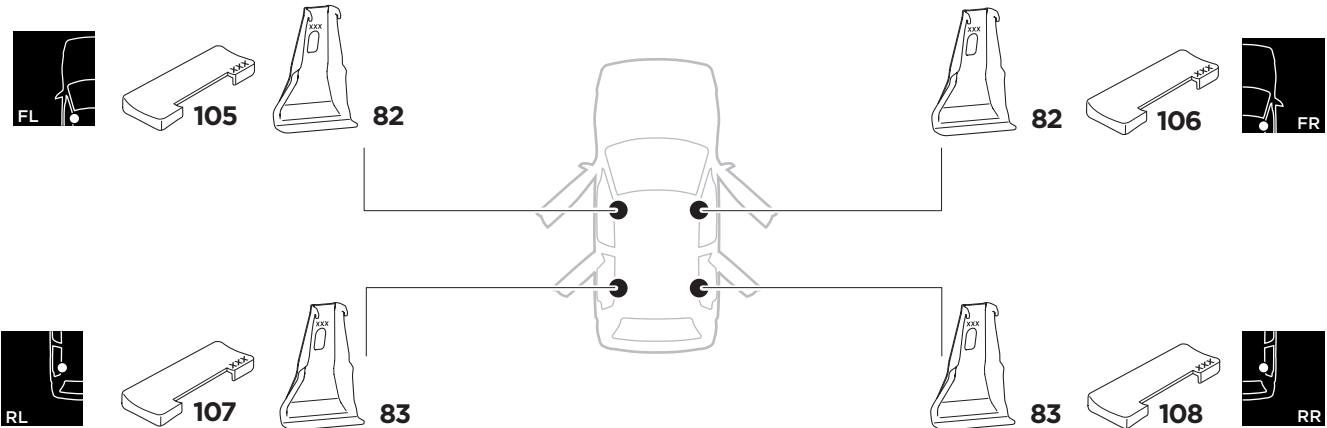
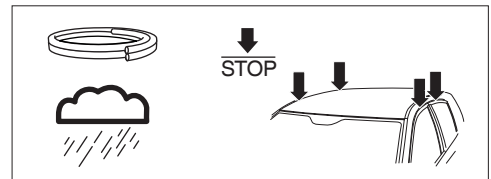
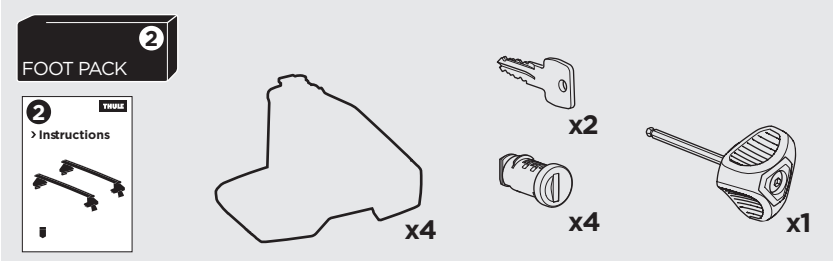
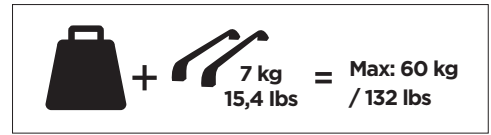
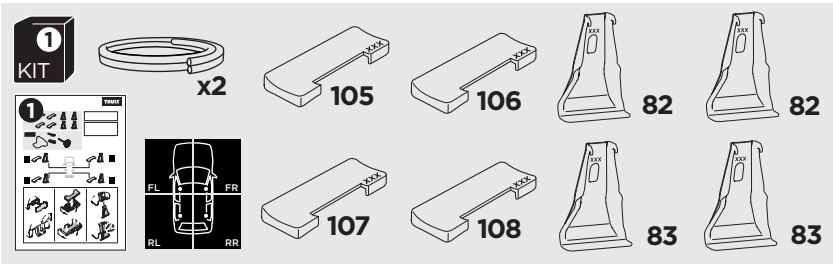
## Kit 5010

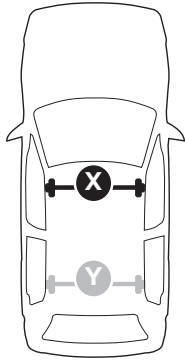
VOLKSWAGEN Golf (Mk. VII), 5-dr Hatchback, 13- / \*15-  
VOLKSWAGEN e-Golf, 5-dr Hatchback, 15-

\*North America



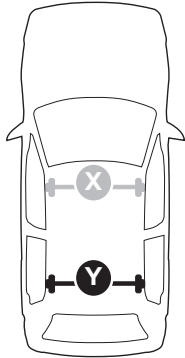
ISO 11154-E





THULE WingBar Evo	THULE WingBar Edge	THULE WingBar	THULE SquareBar	<b>Evo X (scale)</b>	<b>Edge X (scale)</b>
<b>VOLKSWAGEN Golf (Mk. VII), 5-dr Hatchback, 13- / *15-</b>				<b>41,5</b>	<b>N</b>
<b>VOLKSWAGEN e-Golf, 5-dr Hatchback, 15-</b>				<b>41,5</b>	<b>N</b>

THULE ProBar	THULE SlideBar			<b>X (mm/inch)</b>	
<b>VOLKSWAGEN Golf (Mk. VII), 5-dr Hatchback, 13- / *15-</b>				<b>1066 / 42"</b>	
<b>VOLKSWAGEN e-Golf, 5-dr Hatchback, 15-</b>				<b>1066 / 42"</b>	



THULE WingBar Evo	THULE WingBar Edge	THULE WingBar	THULE SquareBar	<b>Evo Y (scale)</b>	<b>Edge Y (scale)</b>
<b>VOLKSWAGEN Golf (Mk. VII), 5-dr Hatchback, 13- / *15-</b>				<b>33,5</b>	<b>L</b>
<b>VOLKSWAGEN e-Golf, 5-dr Hatchback, 15-</b>				<b>33,5</b>	<b>L</b>

THULE ProBar	THULE SlideBar			<b>Y (mm/inch)</b>	
<b>VOLKSWAGEN Golf (Mk. VII), 5-dr Hatchback, 13- / *15-</b>				<b>986 / 38 7/8"</b>	
<b>VOLKSWAGEN e-Golf, 5-dr Hatchback, 15-</b>				<b>986 / 38 7/8"</b>	

	<b>W (mm/inch)</b>	<b>Z (mm/inch)</b>
<b>VOLKSWAGEN Golf (Mk. VII), 5-dr Hatchback, 13- / *15-</b>	<b>770 / 30 3/8"</b>	<b>230 / 9"</b>
<b>VOLKSWAGEN e-Golf, 5-dr Hatchback, 15-</b>	<b>770 / 30 3/8"</b>	<b>230 / 9"</b>

